

Metallized Polypropylene Film AC Film Capacitors

FAD Series - 230 ~ 850VAC (Cylindrical Aluminum Can, Three Phase)

ELCOMTECH

Overview

The FAD series capacitors are designed for PFC system or filtering harmonics at the AC output of large inverter system. The FAD series capacitor consists of metallized polypropylene film, enclosed in cylindrical Al case and filled with soft PU resin.

Applications


Widely used in PFC, AC Filtering and LCL System

Features

- Double safety protection
 - Self-healing property
 - Overpressure disconnecter device
- 3 phases in one case, delta connection
- High reliability
- Oil type with good thermal dissipation



Applicable Standard

Approval	Specification	File Number
	Components	E500536

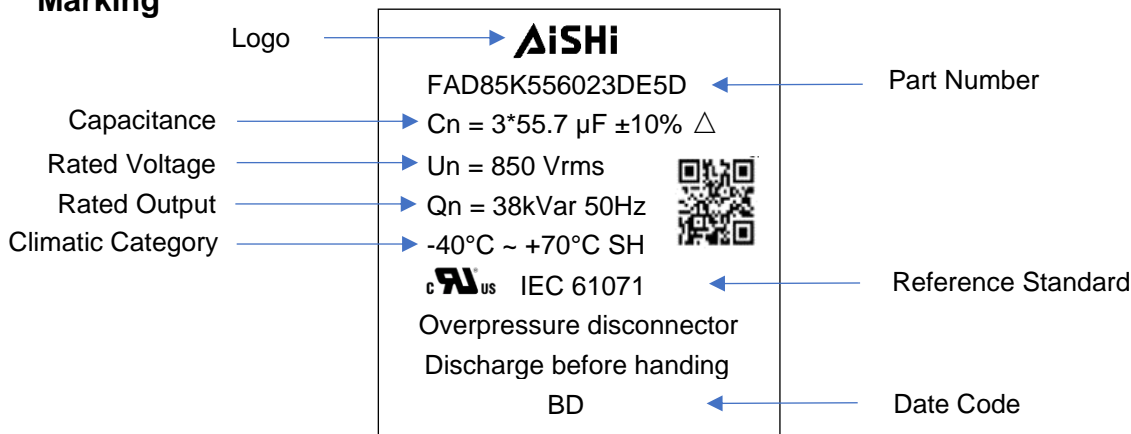
General Technical Data

Dielectric	Metallized Polypropylene Film
Voltage Range	230Vac ~ 850Vac
Capacitance Range	3*8uF ~ 3*335uF
Capacitance Tolerance	±5% or ±10% at +25°C
Operating Temperature Range	-40°C ~ +85°C
Climatic Category	40/85/56 IEC 60068-1
Dissipation Factor	≤0.0020 at 100Hz
Insulation Resistance	Ris x C ≥5,000s at 100VDC 1minute at +25°C

Metallized Polypropylene Film AC Film Capacitors

FAD Series - 230 ~ 850VAC (Cylindrical Aluminum Can, Three Phase)

Marking



Part Number System

F	AD	85	J	556	023	DF6	D
Capacitor Type	Series	Voltage (VAC)	Tolerance	Capacitance (pF)	Size Code	Terminal Code	Bottom Stud Code
F = Film	AC Filtering, Al Can Three Phase, Metallized PP Film	230 = 23 400 = 40 440 = 44 480 = 48 525 = 52 660 = 66 690 = 69 760 = 76 850 = 85	J = \pm 5% K = \pm 10% H = \pm 3% A = -5% ~ +10% B = 0 ~ +5% C = -15% ~ 0 D = 0 ~ +10%	First two digits = significant figures. Third digit = Number of zeros.	Refer to Dimension Table	Refer to Terminal Code Table	Refer to Bottom Stud Code Table

Terminal Code

Digit One (Lead/Terminal Type)		Digit Two (Terminal Space)		Digit Three (Terminal Size)	
Three Phase Screw	D	15	E	M5	5
		16.5	F	M6	6
		35	X	M8	8

Bottom Stud Code

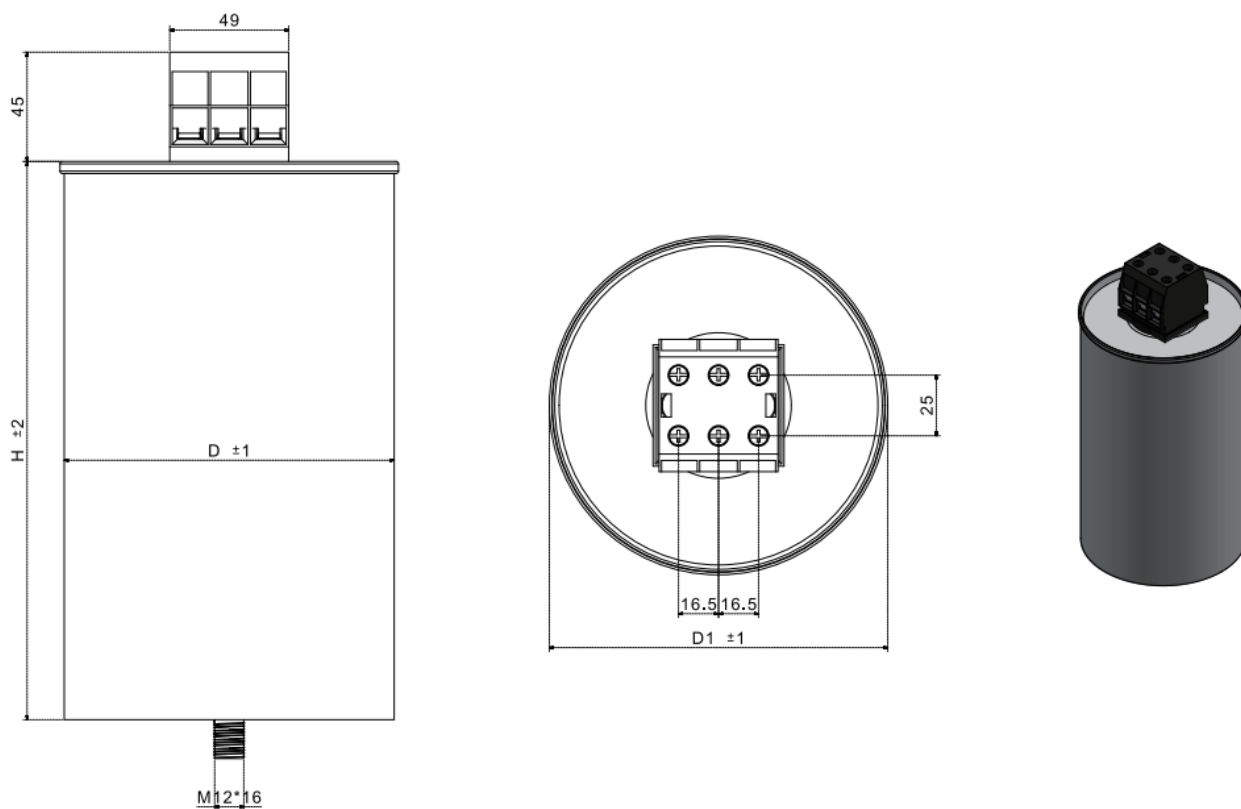
Bottom Stud	
Bottom M12*16	D
No Bottom Stud	E

Metallized Polypropylene Film AC Film Capacitors

FAD Series - 230 ~ 850VAC (Cylindrical Aluminum Can, Three Phase)

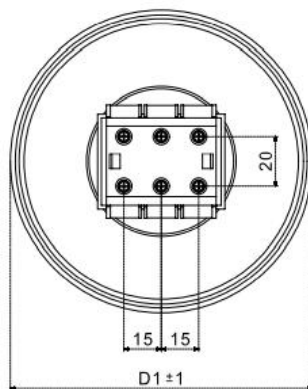
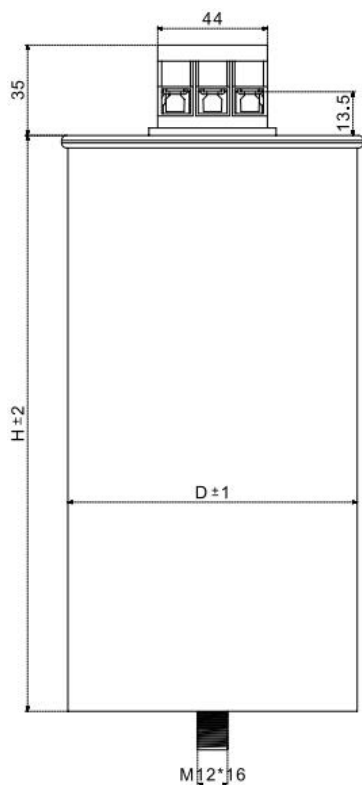
Dimension

Diameter: 136mm

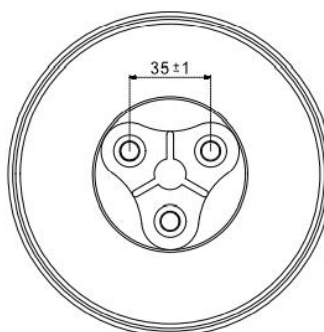
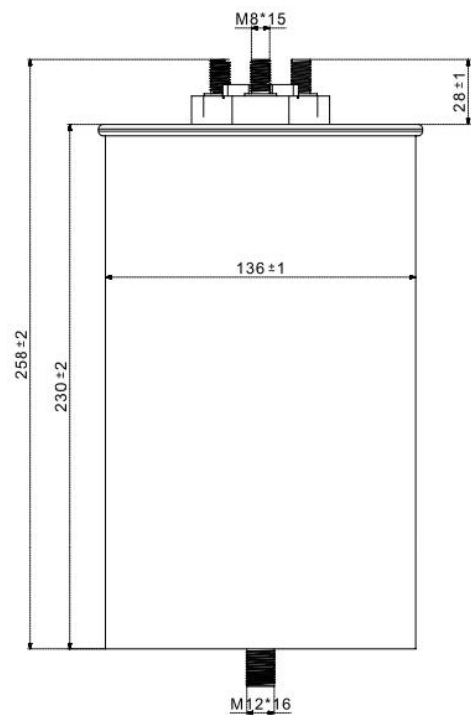


Diameter: 76mm, 86mm, 96mm, 106mm, 116mm, 136mm

Dimension



Diameter: 136mm



Metallized Polypropylene Film AC Film Capacitors

FAD Series - 230 ~ 850VAC (Cylindrical Aluminum Can, Three Phase)

ELCOMTECH

Dimension Table (mm)

Case Code	D ± 1mm		D1 ± 1mm		H ± 2mm	
	mm	inch	mm	inch	mm	inch
316	76	(2.99)	80	(3.15)	164	(6.46)
516	86	(3.39)	90	(3.54)	160	(6.30)
520	86	(3.39)	90	(3.54)	200	(7.87)
523	86	(3.39)	90	(3.54)	230	(9.06)
527	86	(3.39)	90	(3.54)	275	(10.83)
535	86	(3.39)	90	(3.54)	350	(13.78)
623	96	(3.78)	101	(3.98)	230	(9.06)
916	116	(4.57)	121	(4.76)	160	(6.30)
920	116	(4.57)	121	(4.76)	200	(7.87)
923	116	(4.57)	121	(4.76)	230	(9.06)
927	116	(4.57)	121	(4.76)	275	(10.83)
020	136	(5.35)	142	(5.59)	200	(7.87)
023	136	(5.35)	142	(5.59)	230	(9.06)

Metallized Polypropylene Film AC Film Capacitors

FAD Series - 230 ~ 850VAC (Cylindrical Aluminum Can, Three Phase)

ELCOMTECH

Rating and Part Number

Vac	Cap Value µF	OD±1		H±2		Output Kvar @50Hz	Irms at 40°C A	Surge Current A	dv/dt V/us	Pkg Qty pcs	Part Number
		mm	inch	mm	inch						
230	3 x 200.6	86	(3.39)	275	(10.83)	10.0	25.1	5021	25	8	FAD23K207527DE5D
230	3 x 200.6	116	(4.57)	160	(6.30)	10.0	25.1	5021	25	5	FAD23K207916DE5D
230	3 x 250.7	86	(3.39)	275	(10.83)	12.5	31.4	6276	25	8	FAD23K257527DE5D
230	3 x 250.7	116	(4.57)	200	(7.87)	12.5	31.4	6276	25	5	FAD23K257920DE5D
230	3 x 300.9	86	(3.39)	350	(13.78)	15.0	37.7	7531	25	8	FAD23K307535DE5D
230	3 x 300.9	116	(4.57)	200	(7.87)	15.0	37.7	7531	25	5	FAD23K307920DE5D
230	3 x 335.0	116	(4.57)	230	(9.06)	16.7	41.9	8384	25	5	FAD23K337923DE5D
400	3 x 66.3	86	(3.39)	200	(7.87)	10.0	14.4	2887	44	8	FAD40K666520DE5D
400	3 x 82.9	86	(3.39)	200	(7.87)	12.5	18.0	3609	44	8	FAD40K836520DE5D
400	3 x 99.5	86	(3.39)	275	(10.83)	15.0	21.7	4330	44	8	FAD40K107527DE5D
400	3x110.7	86	(3.39)	275	(10.83)	16.7	24.1	4821	44	8	FAD40K117527DE5D
400	3x110.7	116	(4.57)	160	(6.30)	16.7	24.1	4821	44	5	FAD40K117916DE5D
400	3x132.6	86	(3.39)	275	(10.83)	20.0	28.9	5774	44	8	FAD40K137527DE5D
400	3x132.6	116	(4.57)	200	(7.87)	20.0	28.9	5774	44	5	FAD40K137920DE5D
400	3x165.8	86	(3.39)	350	(13.78)	25.0	36.1	7217	44	8	FAD40K167535DE5D
400	3x165.8	116	(4.57)	200	(7.87)	25.0	36.1	7217	44	5	FAD40K167920DE5D
400	3x198.9	136	(5.35)	200	(7.87)	30.0	43.3	8661	44	2	FAD40K207020DE5D
440	3x46	86	(3.39)	160	(6.30)	8.3	10.9	2178	48	8	FAD44K466516DE5D
440	3 x 68.5	86	(3.39)	200	(7.87)	12.5	16.4	3280	48	8	FAD44K696520DE5D
440	3 x 82.2	86	(3.39)	200	(7.87)	15.0	19.7	3937	48	8	FAD44K836520DE5D
440	3x109.0	86	(3.39)	275	(10.83)	20.0	26.2	5249	48	8	FAD44K117527DE5D
440	3x109.0	116	(4.57)	160	(6.30)	20.0	26.2	5249	48	5	FAD44K117916DE5D
440	3x123.3	86	(3.39)	275	(10.83)	22.5	29.5	5905	48	8	FAD44K127527DE5D
440	3x123.3	116	(4.57)	200	(7.87)	22.5	29.5	5905	48	5	FAD44K127920DE5D
440	3x137.0	116	(4.57)	200	(7.87)	25.0	32.8	6561	48	5	FAD44K147920DE5D
440	3x156	116	(4.57)	200	(7.87)	28.1	36.9	7375	48	5	FAD44K157920DE5D
440	3x164.4	86	(3.39)	350	(13.78)	30.0	39.4	7873	48	8	FAD44K167535DE5D
440	3x164.4	116	(4.57)	200	(7.87)	30.0	39.4	7873	48	5	FAD44K167920DE5D
480	3x40	86	(3.39)	200	(7.87)	8.7	10.5	2093	52	8	FAD48K406520DE5D
480	3x60	86	(3.39)	275	(10.83)	13.0	15.6	3127	52	8	FAD48K606527DE5D
480	3x80	116	(4.57)	200	(7.87)	17.4	20.9	4186	52	5	FAD48K806920DE5D
480	3x120	116	(4.57)	275	(10.83)	26.0	31.3	6255	52	5	FAD48K127927DE5D
525	3 x 38.5	86	(3.39)	200	(7.87)	10.0	11.0	2199	57	8	FAD52K396520DE5D
525	3x48.1	86	(3.39)	200	(7.87)	12.5	13.7	2749	57	8	FAD52K486520DE5D
525	3x58	86	(3.39)	230	(9.06)	15.0	16.5	3299	57	8	FAD52K586523DE5D
525	3 x 77.0	86	(3.39)	275	(10.83)	20.0	22.0	4399	57	8	FAD52K776527DE5D
525	3*96	86	(3.39)	350	(13.78)	25.0	27.5	5499	57	8	FAD52K966535DE5D
525	3*96	116	(4.57)	200	(7.87)	25.0	27.5	5499	57	5	FAD52K966920DE5D
525	3*115.4	136	(5.35)	200	(7.87)	30.0	33.0	6598	57	2	FAD52K117020DE5D
660	3 x 20.3	86	(3.39)	200	(7.87)	8.3	7.3	1457	72	8	FAD66K206520DE5D
660	3 x 24.4	86	(3.39)	200	(7.87)	10.0	8.7	1750	72	8	FAD66K256520DE5D
660	3 x 30.4	86	(3.39)	230	(9.06)	12.5	10.9	2187	72	8	FAD66K306523DE5D
660	3 x 36.5	96	(3.78)	230	(9.06)	15.0	13.1	2624	72	6	FAD66K366623DE5D
660	3 x 48.7	86	(3.39)	350	(13.78)	20.0	17.5	3499	72	8	FAD66K496535DE5D
690	3 x 27.9	86	(3.39)	230	(9.06)	12.5	10.5	2092	75	8	FAD69K286523DE5D
690	3 x 33.4	96	(3.78)	230	(9.06)	15.0	12.6	2510	75	6	FAD69K336623DE5D
690	3 x 44.6	86	(3.39)	350	(13.78)	20.0	16.7	3347	75	8	FAD69K456535DE5D
690	3 x 55.7	86	(3.39)	350	(13.78)	25.0	20.9	4184	75	8	FAD69K566535DE5D

Metallized Polypropylene Film AC Film Capacitors

FAD Series - 230 ~ 850VAC (Cylindrical Aluminum Can, Three Phase)

Rating and Part Number

Vac	Cap Value μF	OD \pm 1		H \pm 2		Output Kvar @50Hz	I _{rms} at 40°C A	Surge Current A	dv/dt V/us	Pkg Qty pcs	Part Number
		mm	inch	mm	inch						
850	3X8	76	(2.99)	164	6.46	5.4	20.0	960	120	12	FAD85K805316DE5D
850	3X16	86	(3.39)	200	7.87	10.9	25.0	1920	120	8	FAD85K166520DE5D
850	3X25	96	(3.78)	230	9.06	17.0	40.0	2500	100	6	FAD85K256623DE5D
850	3X37.5	116	(4.57)	230	9.06	25.5	45.0	3800	100	5	FAD85K376923DE5D
850	3X41.5	116	(4.57)	230	9.06	28.2	50.0	4200	100	5	FAD85K416923DE5D
850	3X49	136	(5.35)	230	9.06	33.3	50.0	4900	100	2	FAD85K496023DE5D
850	3X55.7	136	(5.35)	230	9.06	37.9	50.0	5600	100	2	FAD85K556023DE5D

Packaging Information

Capacitors are well protected by foams. And then are packaged in the cartons.

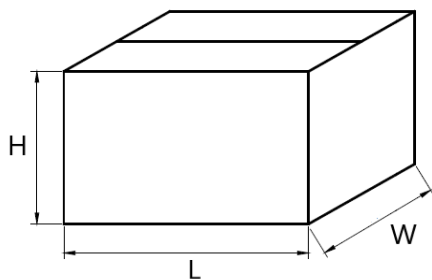


Table 1 carton dimensions

Carton No.	L (mm)	W (mm)	H (mm)
1	375	285	235
2	375	285	300
3	375	285	330
4	375	285	365
5	375	285	265

According to the capacitor's diameter, every carton contains capacitors as per the following Table 2.

Table 2 Capacitor quantity of each carton

Capacitor Diameter (mm)	Quantity (pcs)
76	12
86	8
96	6
116	5
136	2